

AC Fan / 12CM



Model No.

AX 1203822Y-AS01 120x120x38mm

Frame Material :
Aluminum

Impeller Material :
Plastic (UL 94V-O)

Allowable Ambient Temperature
Range:

-10°C~+70°C (Operating)

-40°C~+70°C (Storage)

Bearing system :

Ball Bearing (B)

Sleeve Bearing (S)

Model No. :

AX 1203822Y-AS01

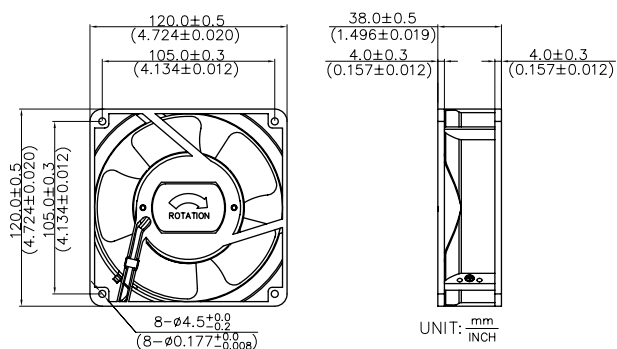
X=Bearing system, can be B or S.

Y=Fan speed, can be L, M or H .

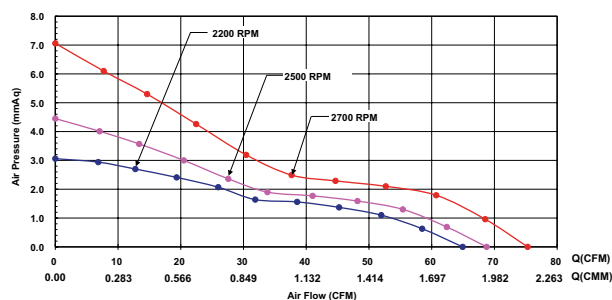
Net Weight :

334g

OUTLINE



CHARACTERISTIC CURVES



SPECIFICATIONS

Item Model No.	Rated Voltage	Operating Voltage Range	Rated Current	Starting Voltage	Rated Input Power	Max Air Flow		Max Air Pressure		Noise	Speed
	V _{AC}	V _{AC}	A	V _{AC}	W	CMM	CFM	mmAq	inAq	dBA	RPM±10%
AX 1203822L-AS01	220V/50Hz	200~240	0.04	100	6.5	1.84	64.94	3.06	0.12	33.7	2200
AX 1203822M-AS01	220V/50Hz	200~240	0.05	100	10.0	1.95	68.76	4.45	0.18	40.6	2500
AX 1203822H-AS01	220V/50Hz	200~240	0.10	100	15.0	2.13	75.30	7.06	0.28	43.1	2700