



GLOBEFAN TECHNOLOGY CO., LTD.

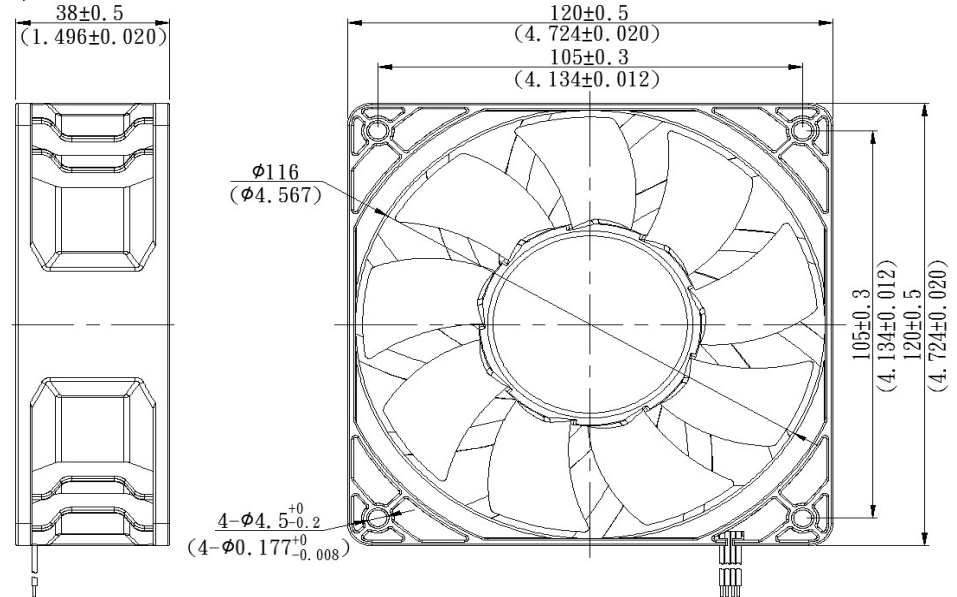
No. 28, 3 Lane Zhongxinjin Road, Jin Industry District Shoei Koou Village,

Da Laang Town, Dungguan City, Guangdong Province, China

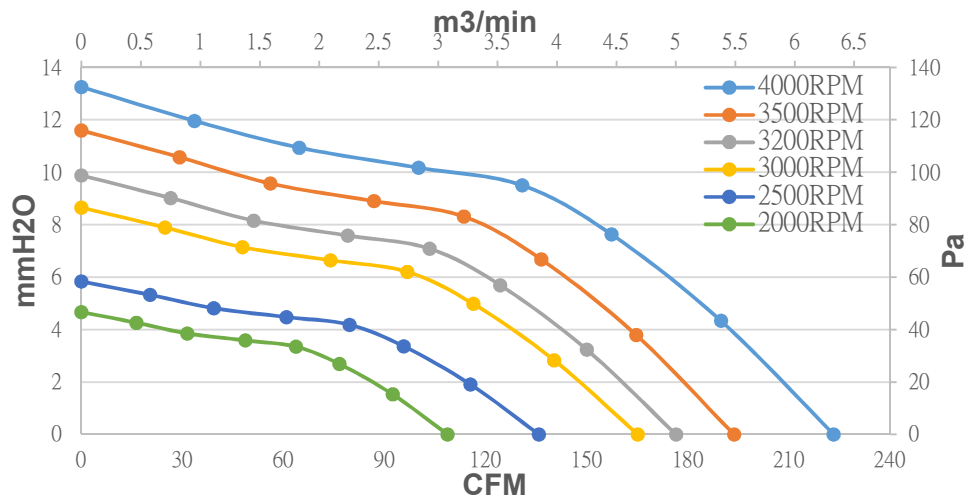
Tel : +86 769 83182898~9

Fax : +86 769 83182897

◆ DIMENSIONS DRAWING



◆ 120x120x38mm DC Brushless Fan P/Q Curves (At rated speed)



* BEARING TYPE

- 2 Ball bearing

* Electrical Function

- Single Phase and 4 Poles Motor
- Frequency Generator Output Signal
- Rotation Detector Output Signal
- PWM (Pulse Width Modulation)

* Material

Impeller: Plastic (PBT UL 94V-0)
Frame : Plastic (PBT UL 94V-0)

* Lead wires

UL 1007 AWG#24 or Equivalent
Red Wire Positive (+)
Black Wire Negative (-)

* Weight : 274.5g (9.68 oz)

MODEL	Operating Voltage Range	Rated Voltage	Rated Current	Rated Input Power	Speed	Maximum Air Flow		Maximum Air Pressure		Noise
Part No.	VDC	VDC	Amp	Watts	R.P.M	m ³ /min	CFM	mmH ₂ O	Pa	dB(A)
SI0Z B1203812HP-4M	6 ~ 13.8V	12	3.50	42.0	3200±10%	4.99	176.48	9.88	96.89	56.1
SI0Z B1203812MP-4M	6 ~ 13.8V	12	3.00	36.0	2500±10%	3.84	135.82	5.83	57.19	49.1
SI0Z B1203812LP-4M	6 ~ 13.8V	12	2.00	24.0	2000±10%	3.07	108.66	4.67	45.75	44.1
SI0Z B1203824HP-4M	15 ~ 30.0V	24	1.80	43.2	4000±10%	6.32	223.31	13.25	129.98	65.5
SI0Z B1203824MP-4M	15 ~ 30.0V	24	1.50	36.0	3000±10%	4.67	165.08	8.65	84.84	54.3
SI0Z B1203824LP-4M	15 ~ 30.0V	24	1.20	28.8	2000±10%	3.07	108.66	4.67	45.75	44.1
SI0Z B1203848HP-4M	25 ~ 60.0V	48	0.90	43.2	4000±10%	6.32	223.31	13.25	129.98	65.6
SI0Z B1203848MP-4M	25 ~ 60.0V	48	0.70	33.6	3000±10%	4.67	165.08	8.65	84.84	54.3
SI0Z B1203848LP-4M	25 ~ 60.0V	48	0.50	24.0	2000±10%	3.07	108.66	4.67	45.75	44.1

* Function type is optional.

* The max. air flow and speed are measured in free air; max. air pressure is measured at close to zero air flow.

* Noise is measured in anechoic chamber in free air, one meter from intake side.

* All readings are typical values at rated voltage.

* Specifications are subject to change without notice.