



# GLOBEFAN TECHNOLOGY CO., LTD.

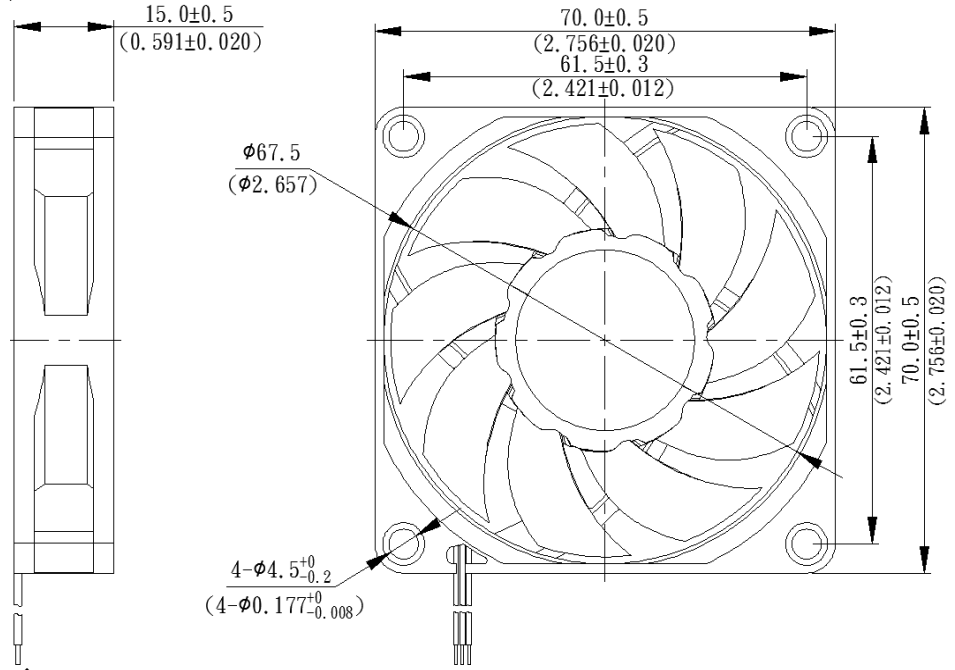
No. 28, 3 Lane Zhongxinjin Road, Jin Industry District Shoei Koou Village,

Da Laang Town, Dungguan City, Guangdong Province, China

Tel : +86 769 83182898~9

Fax : +86 769 83182897

## ◆ DIMENSIONS DRAWING



◆ 70x70x15mm DC Axial Fan P/Q Curves (At rated speed)N Version

### \* BEARING TYPE

- Ball bearing
- Sleeve bearing

### \* Electrical Function

- Frequency Generator Output Signal
- RD (Lock Detection) Output Signal

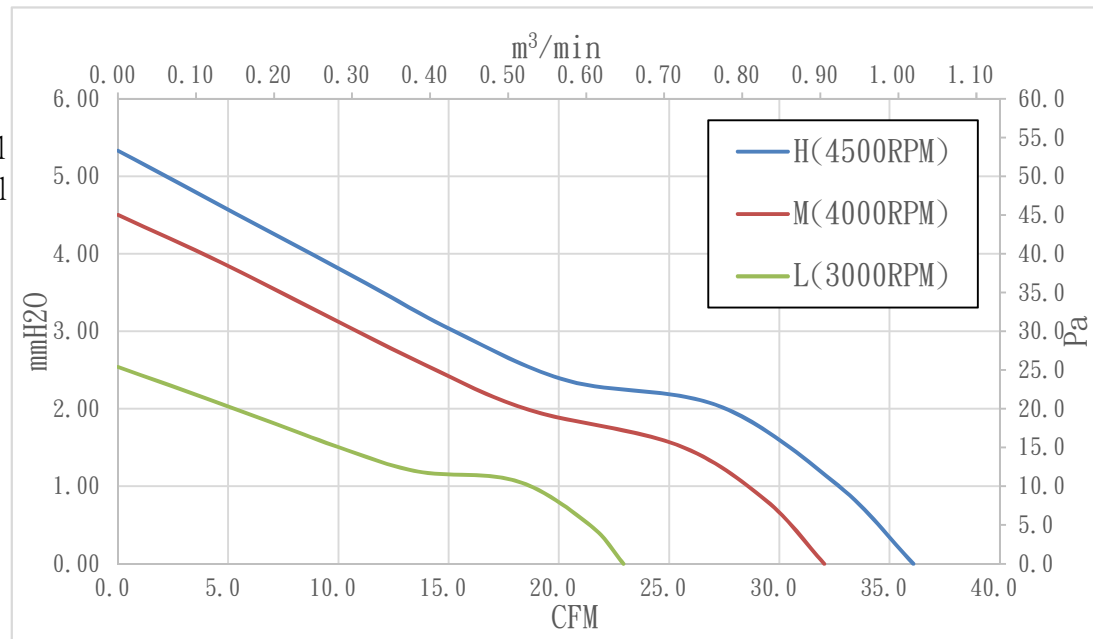
### \* Material

Impeller: Plastic (PBT 30%GF)  
Frame : Plastic (PBT 30%GF)

### \* Lead wires

UL1007 26AWG or Equivalent  
Black Wire Negative (-)  
Red or Yellow Wire Positive (+)  
White Wire Signal (FG)

### \* Weight :48g (1.69 oz)



MODEL	Operating Voltage Range	Rated Voltage	Rated Current	Rated Input Power	Speed	Maximum Air Flow		Maximum Air Pressure		Noise
Part No.	VDC	VDC	Amp	Watts	R.P.M	m <sup>3</sup> /min	CFM	mmH <sub>2</sub> O	Pa	dB(A)
B/S0701512HN-3M	6 ~13.8	12	0.35	4.2	4500±10%	1.02	36.08	5.33	52.27	37.4
B/S0701512MN-3M	6 ~13.8	12	0.25	3.0	4000±10%	0.91	32.04	4.50	44.13	34.4
B/S0701512LN-3M	6 ~13.8	12	0.14	1.7	3000±10%	0.65	22.93	2.54	24.91	27.0

\* Function type is optional.

\* The max. air flow and speed are measured in free air; max. air pressure is measured at close to zero air flow.

\* Noise is measured in anechoic chamber in free air, one meter from intake side.

\* All readings are typical values at rated voltage.

\* Specifications are subject to change without notice.