



GLOBEFAN TECHNOLOGY CO.,LTD.

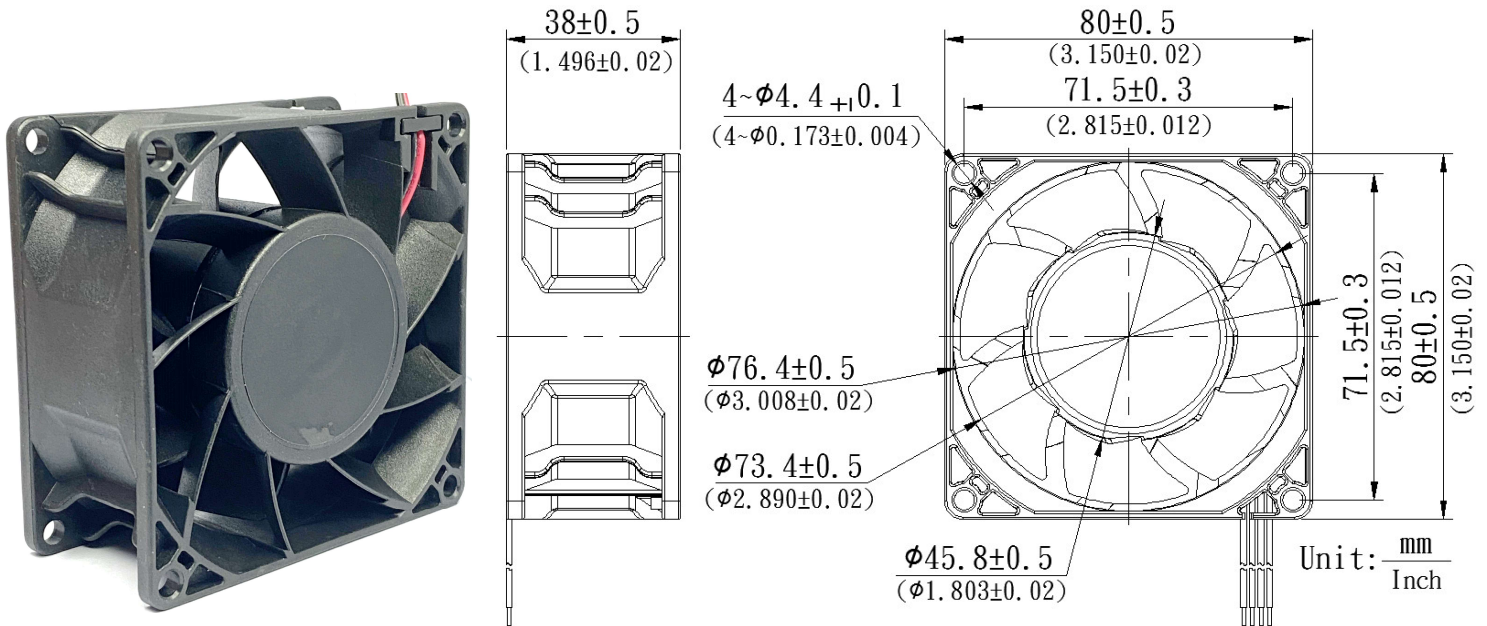
No. 28, 3 Lane Zhongxinjin Road, Jin Industry District Shoei Koou Village,

Da Laang Town, Dungguan City, Guangdong Province, China

Tel : +86 769 83182898~9

Fax : +86 769 83182897

◆ DIMENSIONS DRAWING



* BEARING TYPE

- 2 Ball bearing

-

* Electrical Function

- Frequency Generator Output Signal
- Rotation Detector Output Signal
- PWM (Pulse Width Modulation)

* Material

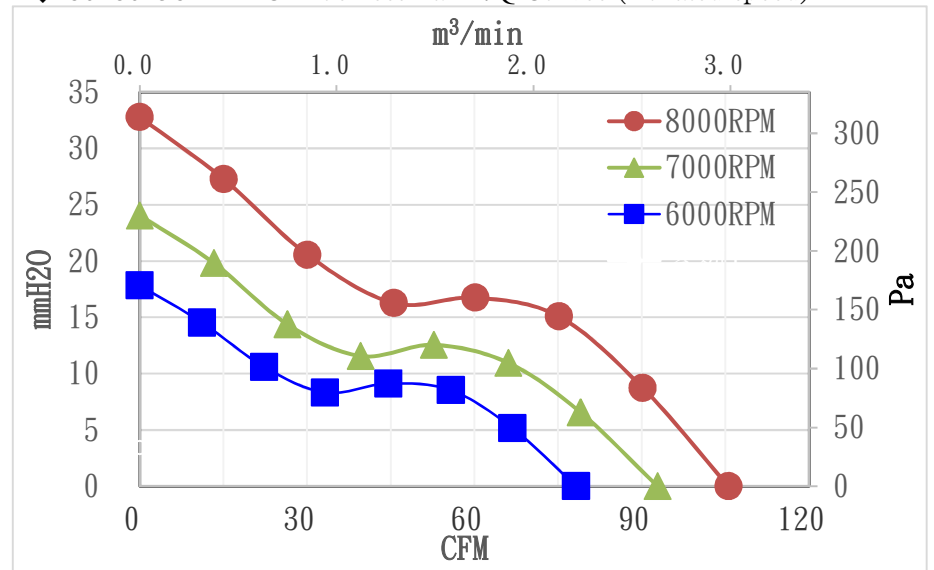
Impeller: Plastic (PBT UL 94V-0)
Frame : Plastic (PBT UL 94V-0)

* Lead wires

UL 1007 AWG#24 or Equivalent
Red Wire Positive (+)
Black Wire Negative (-)

* Weight : 177g (6.24 oz)

◆ 80x80x38mm DC Brushless Fan P/Q Curves (At rated speed)



MODEL	Operating Voltage Range	Rated Voltage	Rated Current	Rated Input Power	Speed	Maximum Air Flow		Maximum Air Pressure		Noise
Part No.	VDC	VDC	Amp	Watts	R.P.M	m³/min	CFM	mmH₂O	Pa	dB(A)
SI0Z B0803812HP-4M	6V ~ 13.8V	12	2.80	33.6	8000±10%	2.99	105.52	32.78	321.46	63.7
SI0Z B0803812MP-4M	6V ~ 13.8V	12	2.10	25.2	7000±10%	2.63	92.82	24.05	235.85	60.0
SI0Z B0803812LP-4M	6V ~ 13.8V	12	1.60	19.2	6000±10%	2.21	78.24	17.84	174.95	56.9
SI0Z B0803824HP-4M	15V~30.0V	24	1.60	38.4	8000±10%	2.99	105.52	32.78	321.46	63.7
SI0Z B0803824MP-4M	15V~30.0V	24	1.20	28.8	7000±10%	2.63	92.82	24.05	235.85	60.0
SI0Z B0803824LP-4M	15V~30.0V	24	1.00	24.0	6000±10%	2.21	78.24	17.84	174.95	56.9
SI0Z B0803848HP-4M	25V~60.0V	48	1.00	48.0	8000±10%	2.99	105.52	32.78	321.46	63.7
SI0Z B0803848MP-4M	25V~60.0V	48	0.80	38.4	7000±10%	2.63	92.82	24.05	235.85	60.0
SI0Z B0803848LP-4M	25V~60.0V	48	0.70	33.6	6000±10%	2.21	78.24	17.84	174.95	56.9

*Function type is optional.

*The max. air flow and speed are measured in free air; max. air pressure is measured at close to zero air flow.

*Noise is measured in anechoic chamber in free air, one meter from intake side.

*All readings are typical values at rated voltage.

*Specifications are subject to change without notice.