



GLOBEFAN TECHNOLOGY CO., LTD.

No. 28, 3 Lane Zhongxinjin Road, Jin Industry District Shoei Koou Village,

Da Laang Town, Dungguan City, Guangdong Province, China

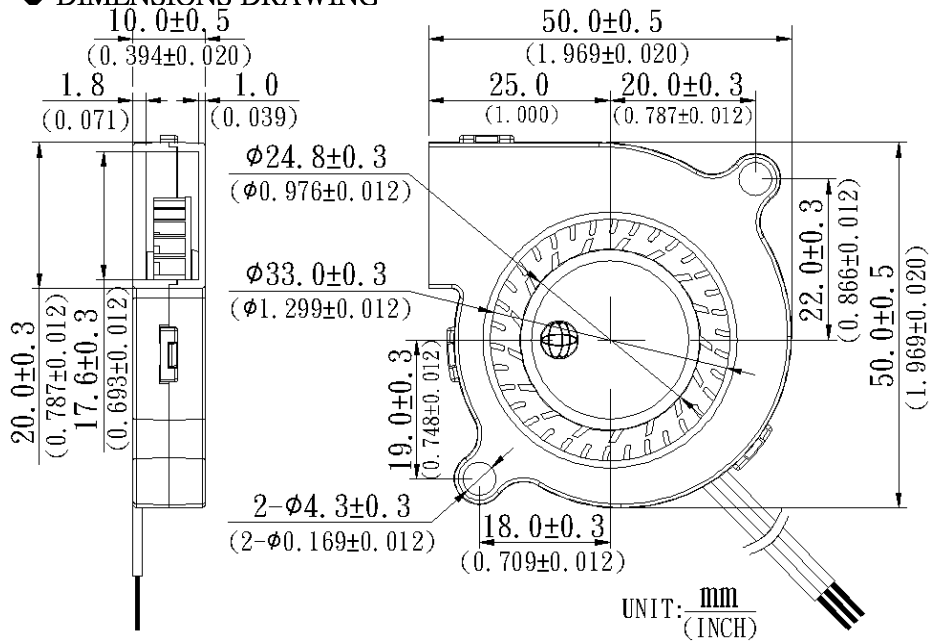
Tel : +86 769 83182898~9

Fax : +86 769 83182897



2

◆ DIMENSIONS DRAWING



* BEARING TYPE

- 2 Ball bearing
- Sleeve bearing
- Long Life Inside Cavity Sleeve bearing

* Electrical Function

- PWM (Pulse Width Modulation)
- Frequency Generator Output Signal

* Material

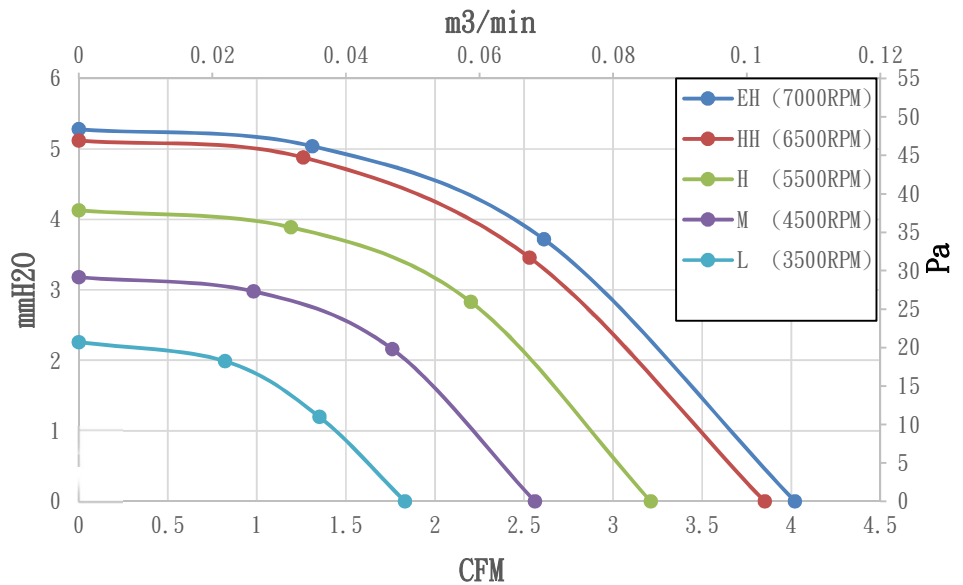
Impeller: Plastic (PBT UL 94V-0)
Frame : Plastic (PBT UL 94V-0)

* Lead wires

UL 1007 AWG#28 or Equivalent
yellow Wire Positive (+)
Black Wire Negative (-)
Green Wire Signal (FG)
Blue Wire PWM Control Signal

* Weight : 18.6g (1.11 oz)

◆ 50x50x10mm DC Blower P/O Curves (At rated speed)



MODEL	Operating Voltage Range	Rated Voltage	Rated Current	Rated Input Power	Speed	Maximum Air Flow		Maximum Air Pressure		Noise
Part No.	VDC	VDC	Amp	Watts	R.P.M	m ³ /min	CFM	mmH ₂ O	Pa	dB(A)
DB4Z B/S0501005EHP-4M	2.5V ~ 5.5V	5	0.50	2.5	7000±10%	0.11	4.02	5.28	51.78	45.0
DB4Z B/S0501005HH	2.5V ~ 5.5V	5	0.40	2.0	6500±10%	0.11	3.85	5.12	50.21	44.7
DB4Z B/S0501005H	2.5V ~ 5.5V	5	0.30	1.5	5500±10%	0.09	3.21	4.13	40.50	39.4
DB4Z B/S0501005M	3.0V ~ 5.5V	5	0.25	1.3	4500±10%	0.07	2.56	3.18	31.19	31.3
DB4Z B/S0501005L	3.0V ~ 5.5V	5	0.20	1.0	3500±10%	0.05	1.83	2.26	22.16	25.3

* Function type is optional.

* The max. air flow and speed are measured in free air; max. air pressure is measured at close to zero air flow.

* Noise is measured in anechoic chamber in free air, one meter from intake side.

* All readings are typical values at rated voltage.

* Specifications are subject to change without notice.