



# GLOBEFAN TECHNOLOGY CO., LTD.

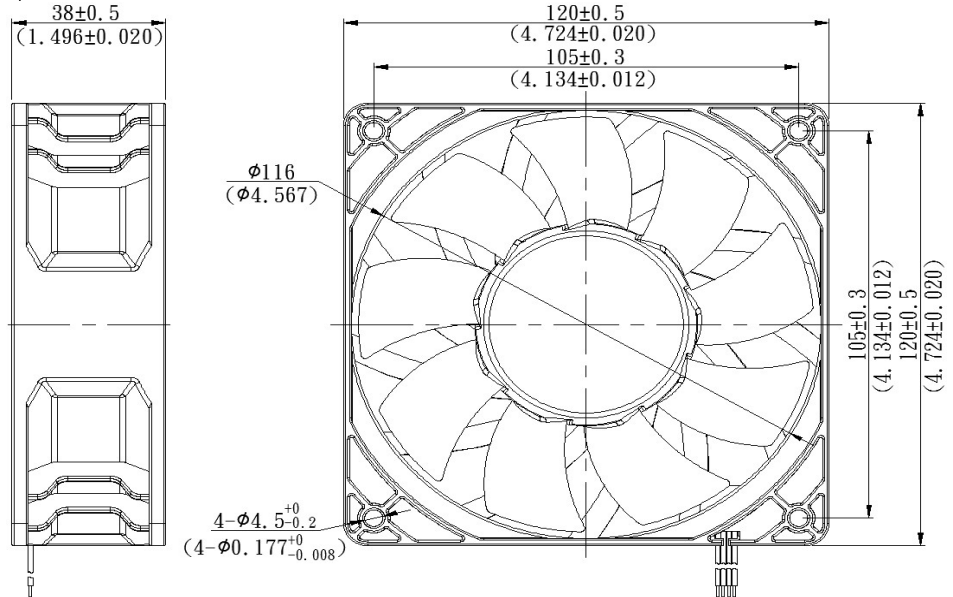
No. 28, 3 Lane Zhongxinjin Road, Jin Industry District Shoei Koou Village,

Da Laang Town, Dungguan City, Guangdong Province, China

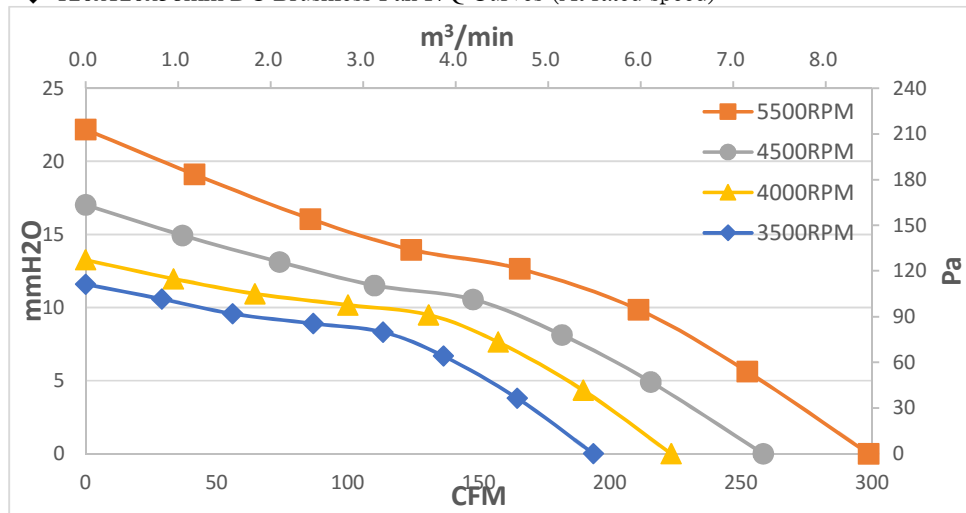
Tel : +86 769 83182898~9

Fax : +86 769 83182897

## ◆ DIMENSIONS DRAWING



## ◆ 120x120x38mm DC Brushless Fan P/Q Curves (At rated speed)



### \* BEARING TYPE

- 2 Ball bearing

### \* Electrical Function

- Single Phase and 8 Poles Motor
- Frequency Generator Output Signal
- Rotation Detector Output Signal
- PWM (Pulse Width Modulation)

### \* Material

Impeller: Plastic (PBT UL 94V-0)  
Frame : Plastic (PBT UL 94V-0)

### \* Lead wires

UL 1007 AWG#24 or Equivalent  
Red Wire Positive (+)  
Black Wire Negative (-)

### \* Weight : 292g (10.3 oz)

MODEL	Operating Voltage Range	Rated Voltage	Rated Current	Rated Input Power	Speed	Maximum Air Flow		Maximum Air Pressure		Noise
Part No.	VDC	VDC	Amp	Watts	R.P.M	m <sup>3</sup> /min	CFM	mmH <sub>2</sub> O	Pa	dB(A)
SIOZ B1203812HP-4M	6 ~ 13.8V	12	3.00	36.0	4500±10%	7.31	258.45	17.02	166.92	67.2
SIOZ B1203812MP-4M	6 ~ 13.8V	12	2.50	30.0	4000±10%	6.32	223.31	13.25	129.98	65.6
SIOZ B1203812LP-4M	6 ~ 13.8V	12	1.90	22.8	3500±10%	5.48	193.73	11.59	113.68	59.9
SIOZ B1203824HP-4M	15 ~ 30.0V	24	2.80	67.2	5500±10%	8.45	298.65	22.18	217.52	70.1
SIOZ B1203824MP-4M	15 ~ 30.0V	24	1.80	43.2	4500±10%	7.31	258.45	17.02	166.92	67.2
SIOZ B1203824LP-4M	15 ~ 30.0V	24	1.20	28.8	3500±10%	5.48	193.73	11.59	113.68	59.9
SIOZ B1203848HP-4M	25 ~ 60.0V	48	1.30	62.4	5500±10%	8.45	298.65	22.18	217.52	70.1
SIOZ B1203848MP-4M	25 ~ 60.0V	48	1.00	48.0	4500±10%	7.31	258.45	17.02	166.92	67.2
SIOZ B1203848LP-4M	25 ~ 60.0V	48	0.70	33.6	3500±10%	5.48	193.73	11.59	113.68	59.9

\* Function type is optional.

\* The max. air flow and speed are measured in free air; max. air pressure is measured at close to zero air flow.

\* Noise is measured in anechoic chamber in free air, one meter from intake side.

\* All readings are typical values at rated voltage.

\* Specifications are subject to change without notice.