



GLOBEFAN TECHNOLOGY CO., LTD.

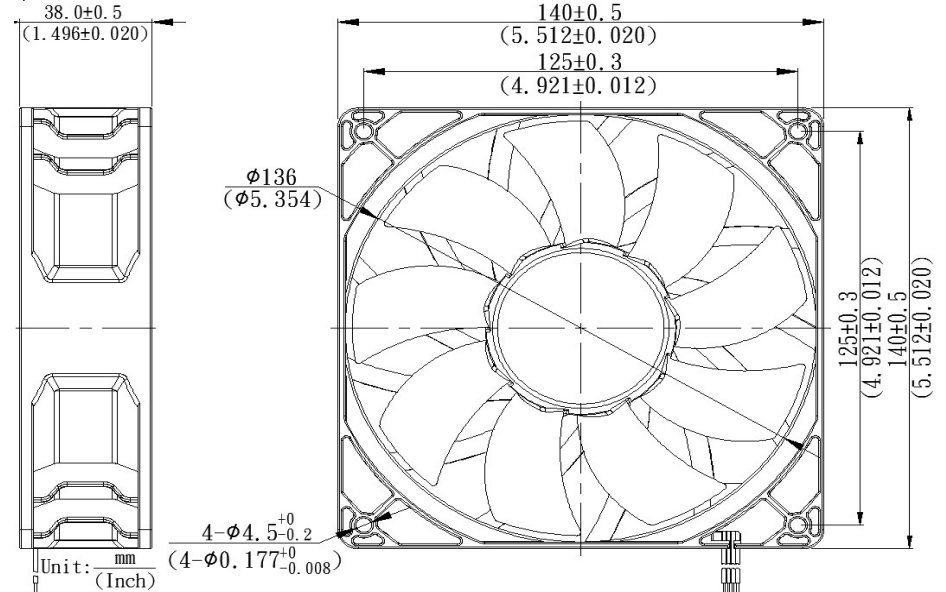
No. 28, 3 Lane Zhongxinjin Road, Jin Industry District Shoei Koou Village,

Da Laang Town, Dungguan City, Guangdong Province, China

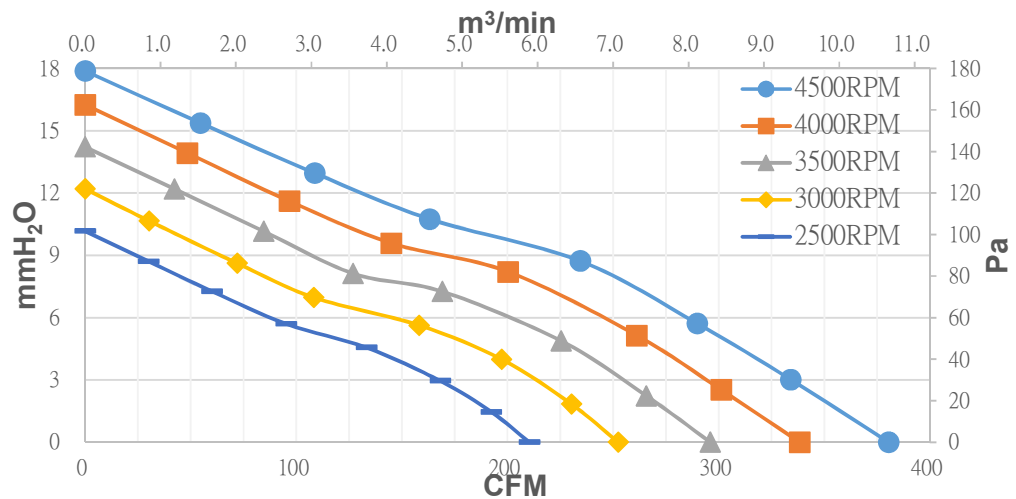
Tel : +86 769 83182898~9

Fax : +86 769 83182897

◆ DIMENSIONS DRAWING



◆ 140x140x38mm DC Brushless Fan P/Q Curves (At rated speed)



* BEARING TYPE

- 2 Ball bearing

* Electrical Function

- Single Phase and 8 Poles Motor
- Frequency Generator Output Signal
- Rotation Detector Output Signal
- PWM (Pulse Width Modulation)

* Material

Impeller: Plastic (PBT UL 94V-0)
Frame : Plastic (PBT UL 94V-0)

* Lead wires

UL 1007 AWG#18 or Equivalent
Red Wire Positive (+)
Black Wire Negative (-)

* Weight :340g (11.99 oz)

MODEL	Operating Voltage Range	Rated Voltage	Rated Current	Rated Input Power	Speed	Maximum Air Flow		Maximum Air Pressure		Noise
Part No.	VDC	VDC	Amp	Watts	R.P.M	m ³ /min	CFM	mmH ₂ O	Pa	dB(A)
SI0Z B1403812HP-4M	6 ~ 13.8V	12	4.00	48.0	4000±10%	9.58	338.42	16.25	159.40	65.5
SI0Z B1403812MP-4M	6 ~ 13.8V	12	3.20	38.4	3500±10%	8.38	296.11	14.22	139.47	61.0
SI0Z B1403812LP-4M	6 ~ 13.8V	12	2.20	26.4	2500±10%	5.95	210.36	10.17	99.69	53.4
SI0Z B1403824HP-4M	15 ~ 30.0V	24	3.50	84.0	4500±10%	10.77	380.56	17.88	175.34	67.1
SI0Z B1403824MP-4M	15 ~ 30.0V	24	2.00	48.0	3500±10%	8.38	296.11	14.22	139.47	61.0
SI0Z B1403824LP-4M	15 ~ 30.0V	24	1.50	36.0	2500±10%	5.95	210.36	10.17	99.69	53.4
SI0Z B1403848HP-4M	25 ~ 60.0V	48	2.00	96.0	4500±10%	10.77	380.56	17.88	175.34	67.1
SI0Z B1403848MP-4M	25 ~ 60.0V	48	1.50	72.0	3500±10%	8.38	296.11	14.22	139.47	61.0
SI0Z B1403848LP-4M	25 ~ 60.0V	48	1.00	48.0	2500±10%	5.95	210.36	10.17	99.69	53.4

* Function type is optional.

* The max. air flow and speed are measured in free air; max. air pressure is measured at close to zero air flow.

* Noise is measured in anechoic chamber in free air, one meter from intake side.

* All readings are typical values at rated voltage.

* Specifications are subject to change without notice.