



GLOBEFAN TECHNOLOGY CO., LTD.

No. 28, 3 Lane Zhongxinjin Road, Jin Industry District Shoei Koou Village,
Da Laang Town, Dungguan City, Guangdong Province, China

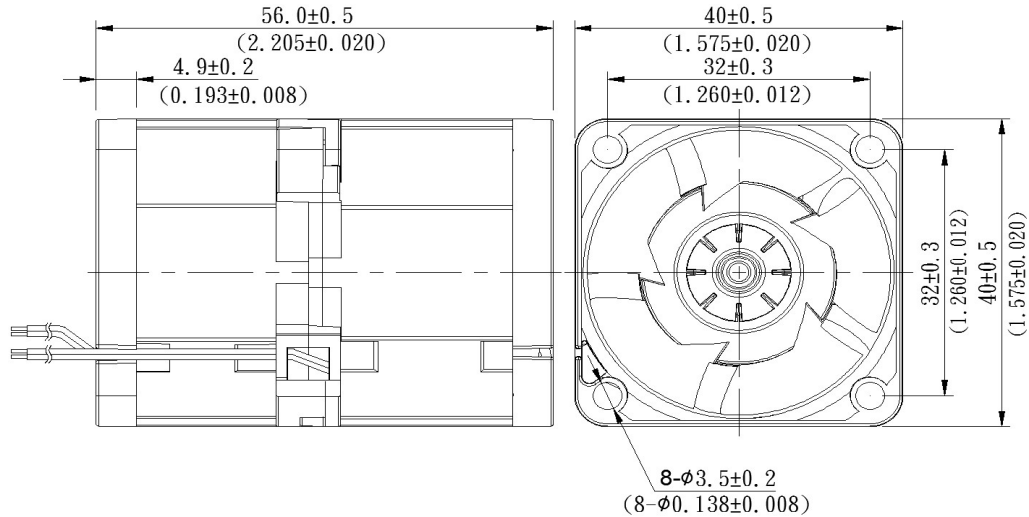
Tel : +86 769 83182898~9

Fax : +86 769 83182897

◆ DIMENSIONS DRAWING

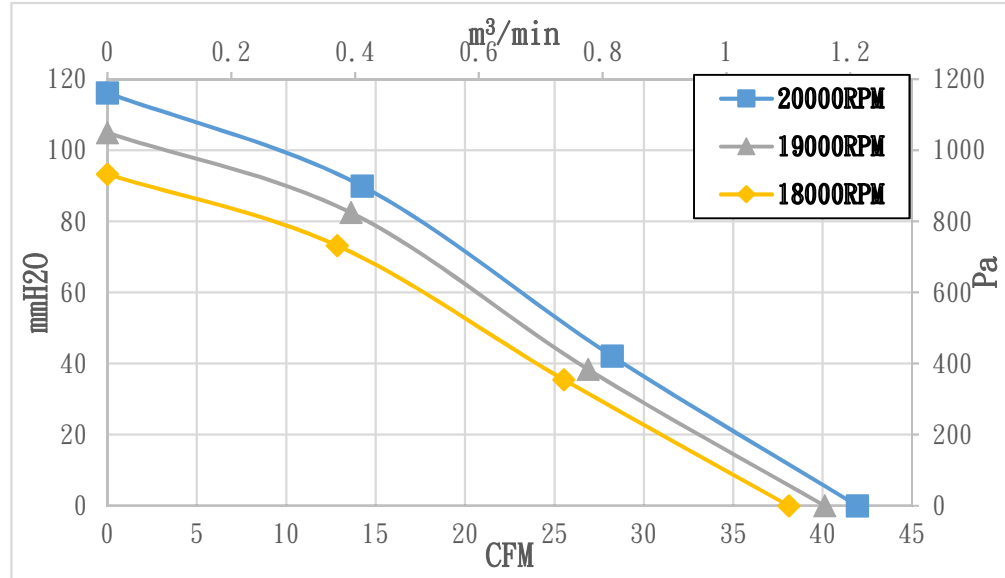


Front



- * Rohs Compliant
- * Bearing Type
 - 2 Ball bearing
- * Electrical Function
 - PWM (Pulse Width Modulation)
 - FG or RD Output Signal
- * Material
 - Impeller: Plastic (PBT UL 94V-0)
 - Frame : Plastic (PBT UL 94V-0)
- * Lead wires
 - UL 1061 AWG#26 or Equivalent
 - Yellow Wire Positive (+)
 - Black Wire Negative (-)
 - Green Wire FG or RD Output Signal
 - Blue Wire PWM
- * Weight : 88.5g (3.12 oz)

◆ 40x40x56mm DC Axial Fan P/Q Curves (At rated speed)



MODEL	Operating Voltage Range	Rated Voltage	Rated Current	Rated Input Power	Speed (Front / Rear)	Maximum Air Flow		Maximum Air Pressure		Noise
						m³/min	CFM	mmH₂O	InH₂O	
Part No.	VDC	VDC	Amp	Watts	R.P.M±10%	m³/min	CFM	mmH₂O	InH₂O	dB(A)
B0405612LP-4M	6V ~ 13.8V	12	2.60	31.2	18000 / 17000	1.08	38.11	93.26	3.67	73.5
B0405612MP-4M	6V ~ 13.8V	12	2.80	33.6	19000 / 18000	1.14	40.11	104.91	4.13	74.5
B0405612HP-4M	6V ~ 13.8V	12	3.00	36.0	20000 / 19000	1.19	41.94	116.15	4.57	75.5

- * Function type is optional.
- * The max. air flow and speed are measured in free air; max. air pressure is measured at close to zero air flow.
- * Noise is measured in anechoic chamber in free air, one meter from intake side.
- * All readings are typical values at rated voltage.
- * Specifications are subject to change without notice.