



# GLOBEFAN TECHNOLOGY CO., LTD.

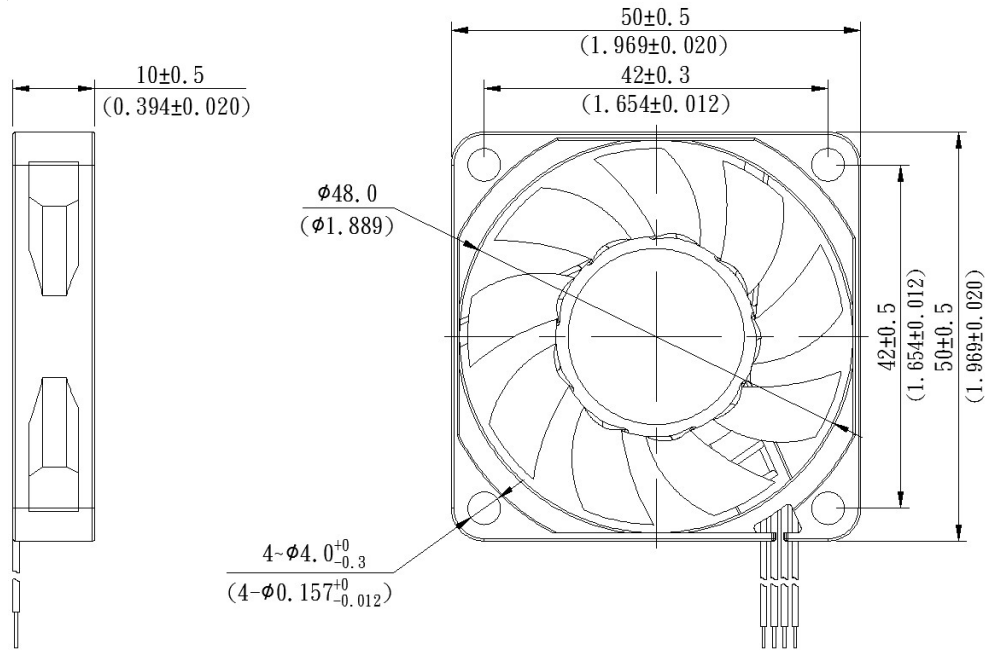
No. 28, 3 Lane Zhongxinjin Road, Jin Industry District Shoei Koo Village,

Da Laang Town, Dungguan City, Guangdong Province, China

Tel : +86 769 83182898~9

Fax : +86 769 83182897

## ◆ DIMENSIONS DRAWING



◆ 50x50x10mm DC Axial Fan P/Q Curves (At rated speed) C Verison

### \* BEARING TYPE

- Ball bearing
- Sleeve bearing

### \* Electrical Function

- Frequency Generator Output Signal
- RD (Lock Detection) Output Signal
- PWM(Pulse Width Modulation)

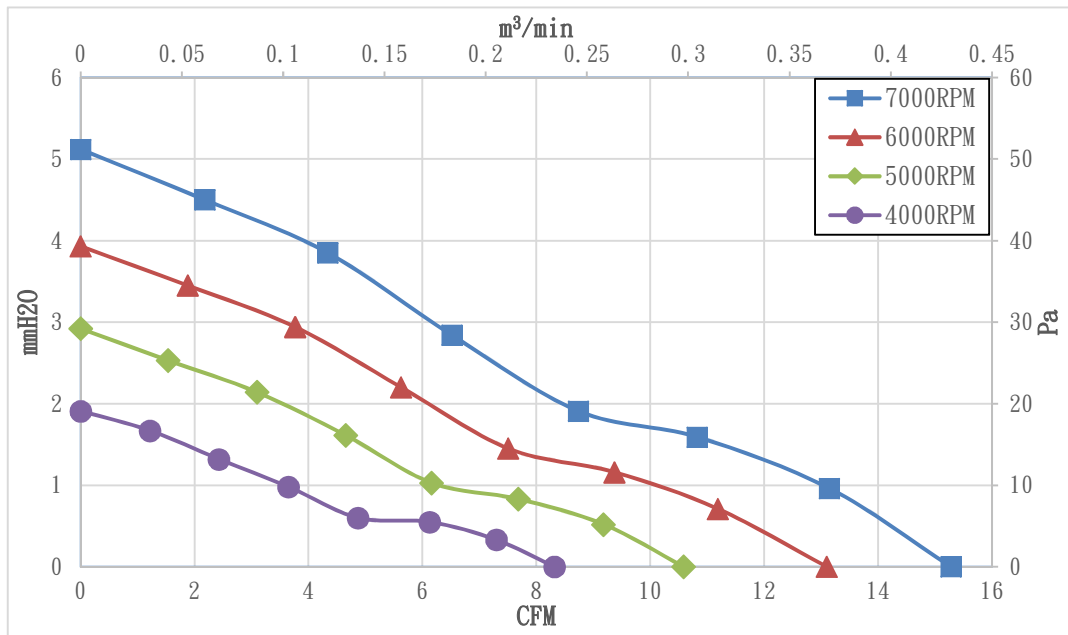
### \* Material

- Impeller: Plastic (PBT 30%GF)
- Frame : Plastic (PBT 30%GF)

### \* Lead wires

- UL1007 28AWG or Equivalent
- Black Wire Negative (-)
- Red or Yellow Wire Positive (+)
- Green Wire Signal (FG)
- Blue Wire (PWM)

### \* Weight : 18g (0.63 oz)



MODEL	Operating Voltage Range	Rated Voltage	Rated Current	Rated Input Power	Speed	Maximum Air Flow		Maximum Air Pressure		Noise
Part No.	VDC	VDC	Amp	Watts	R.P.M	m <sup>3</sup> /min	CFM	mmH <sub>2</sub> O	Pa	dB(A)
B/S0501005HHC	3V ~5.5V	5	0.50	2.5	7000±10%	0.43	15.28	5.12	50.21	36.2
B/S0501005HC	3V ~5.5V	5	0.30	1.5	6000±10%	0.37	13.10	3.93	38.54	32.4
B/S0501005MC	3V ~5.5V	5	0.23	1.2	5000±10%	0.30	10.59	2.92	28.64	28.1
B/S0501005LC	3V ~5.5V	5	0.18	0.9	4000±10%	0.24	8.32	1.91	18.73	21.9
B/S0501012HHC	5V ~13.8V	12	0.30	3.6	7000±10%	0.43	15.28	5.12	50.21	36.2
B/S0501012HC	5V ~13.8V	12	0.25	3.0	6000±10%	0.37	13.10	3.93	38.54	32.4
B/S0501012MC	5V ~13.8V	12	0.20	2.4	5000±10%	0.30	10.59	2.92	28.64	28.1
B/S0501012LC	5V ~13.8V	12	0.10	1.2	4000±10%	0.24	8.32	1.91	18.73	21.9

\* Function type is optional.

\* The max. air flow and speed are measured in free air; max. air pressure is measured at close to zero air flow.

\* Noise is measured in anechoic chamber in free air, one meter from intake side.

\* All readings are typical values at rated voltage.

\* Specifications are subject to change without notice.