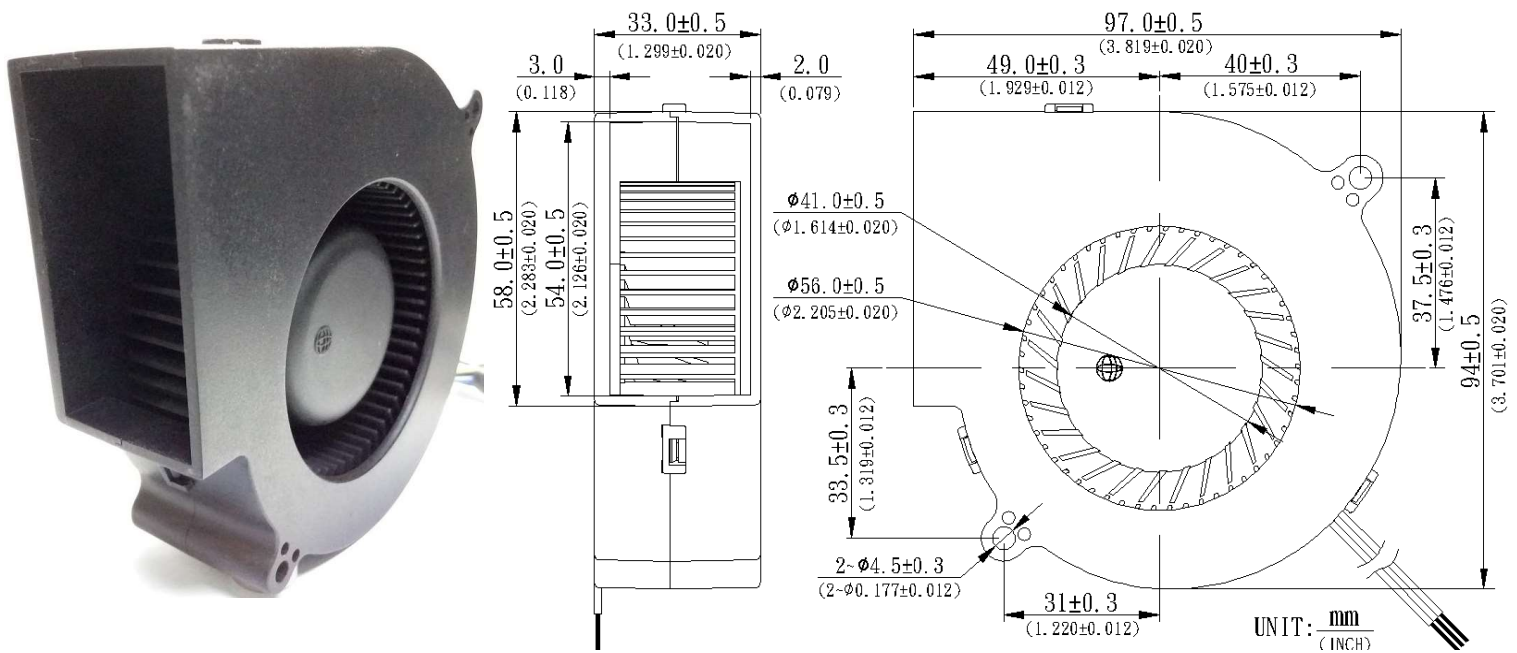




GLOBEFAN TECHNOLOGY CO., LTD.

No. 28, 3 Lane Zhongxinjin Road, Jin Industry District Shoei Koou Village,
Da Laang Town, Dungguan City, Guangdong Province, China
Tel : +86 769 83182898~9 Fax : +86 769 83182897

◆ DIMENSIONS DRAWING



* BEARING TYPE

- 2 Ball bearing
- Sleeve bearing
- Long Life Inside Cavity Sleeve bearing

* Electrical Function

- PWM (Pulse Width Modulation)
- Frequency Generator Output Signal

* Material

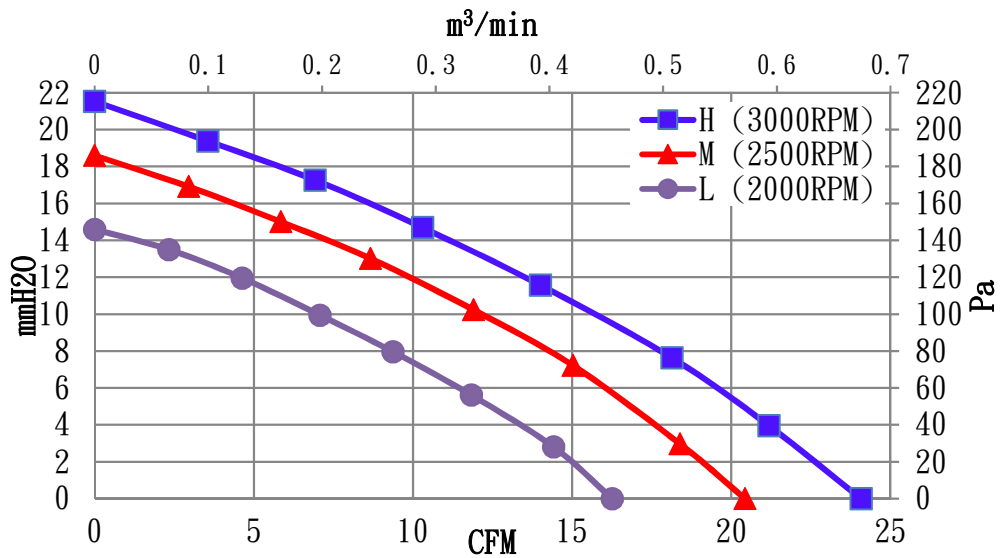
Impeller: Plastic (PBT UL 94V-0)
Frame : Plastic (PBT UL 94V-0)

* Lead wires

UL 1007 AWG#26 or Equivalent
Red Wire Positive (+)
Black Wire Negative (-)

* Weight : 156g (5.5 oz)

◆ 97x94x33mm DC Blower P/Q Curves (At rated speed)



MODEL	Operating Voltage Range	Rated Voltage	Rated Current	Rated Input Power	Speed	Maximum Air Flow		Maximum Air Pressure		Noise
Part No.	VDC	VDC	Amp	Watts	R.P.M	m ³ /min	CFM	mmH ₂ O	Pa	dB(A)
DB4Z B/S0973312H	5V ~ 13.8V	12	0.50	6.0	3000±10%	0.68	24.07	21.53	211.11	48.8
DB4Z B/S0973312M	5V ~ 13.8V	12	0.45	5.4	2500±10%	0.58	20.43	18.59	182.34	44.4
DB4Z B/S0973312L	5V ~ 13.8V	12	0.40	4.8	2000±10%	0.46	16.26	14.59	143.06	38.2

* Function type is optional.

* The max. air flow and speed are measured in free air; max. air pressure is measured at close to zero air flow.

* Noise is measured in anechoic chamber in free air, one meter from intake side.

* All readings are typical values at rated voltage.

* Specifications are subject to change without notice.