

DC LED Fan / 8CM



Model No.

RLXX Y0801512Z 80x80x15mm

Frame and Impeller Material :
Plastic (UL 94V-O)

Bearing system :
Ball Bearing (B)
Sleeve Bearing (S)

Lead Wires :
UL 1007 AWG 28 or equivalent.
Red:+, Black:-

Model No. :

RLXX Y0801512ZG

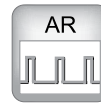
XX= 0~9 or A~Z

Y=Bearing system, can be B or S type.

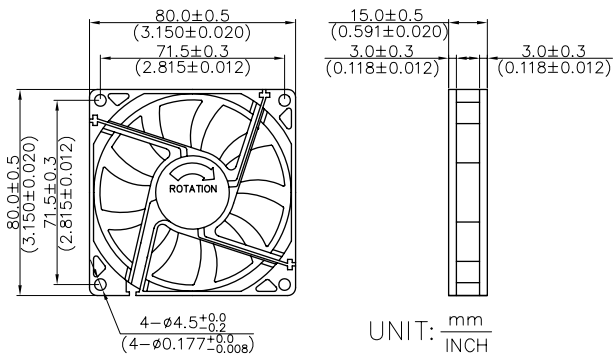
Z=Fan speed, can be L, M or H.

Net Weight :

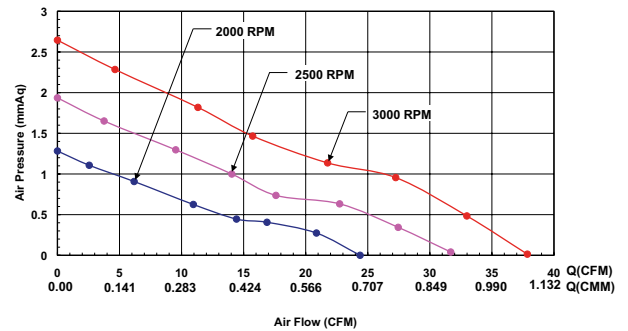
50g



OUTLINE



CHARACTERISTIC CURVES



SPECIFICATIONS

Item	Operating Voltage Range	Rated Voltage	Rated Current	Rated Input Power	Speed	Max Air Flow		Max Air Pressure		Noise
	V _{DC}	V	Amp	Watt	R.P.M	m ³ /min	CFM	mmH ₂ O	inH ₂ O	dBA
Model No. RLXX B/S0801512L	6~13.8	12	0.19	2.28	2000	0.69	24.38	1.28	0.05	20.9
RLXX B/S0801512M	6~13.8	12	0.23	2.76	2500	0.90	31.68	1.94	0.08	29.4
RLXX B/S0801512H	6~13.8	12	0.27	3.24	3000	1.07	37.86	2.65	0.10	31.3