



Model No.

RLXX Y0802012Z 80x80x20mm

Frame and Impeller Material :
Plastic (UL 94V-O)

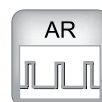
Bearing system :
Ball Bearing (B)
Sleeve Bearing (S)

Lead Wires :
UL 1007 AWG 28 or equivalent.
Red:+, Black:-

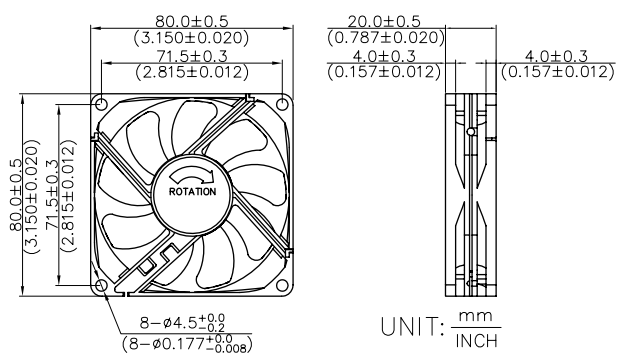
Model No. :
RLXX Y0802012Z
XX= 0~9 or A~Z

Y=Bearing system, can be B or S type.
Z=Fan speed, can be L, M or H.

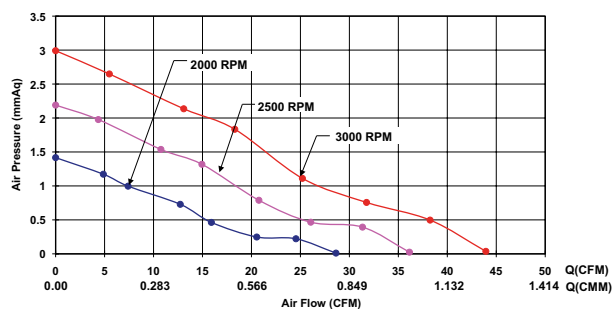
Net Weight :
54g



OUTLINE



CHARACTERISTIC CURVES



SPECIFICATIONS

Item Model No.	Operating Voltage Range	Rated Voltage	Rated Current	Rated Input Power	Speed	Max Air Flow		Max Air Pressure		Noise
	V _{DC}	V	Amp	Watt	R.P.M	m ³ /min	CFM	mmH ₂ O	inH ₂ O	dBA
RLXX B/S0802012L	6~13.8	12	0.23	2.76	2000	0.81	28.63	1.42	0.06	21.9
RLXX B/S0802012M	6~13.8	12	0.30	3.60	2500	1.02	36.13	2.19	0.09	29.4
RLXX B/S0802012H	6~13.8	12	0.36	4.32	3000	1.24	43.94	2.99	0.12	31.3