

DC LED Fan / 8CM



Model No.

RLXX Y0802512Z 80x80x25mm

Frame and Impeller Material :
Plastic (UL 94V-O)

Bearing system :
Ball Bearing (B)
Sleeve Bearing (S)

Lead Wires :
UL 1007 AWG 28 or equivalent.
Red:+, Black:-

Model No. :

RLXX Y0802512Z

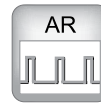
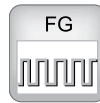
XX= 0~9 or A~Z

Y=Bearing system, can be B or S type.

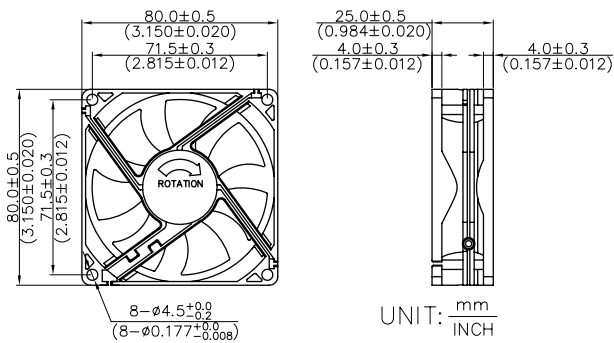
Z=Fan speed, can be L, M, H or HH.

Net Weight :

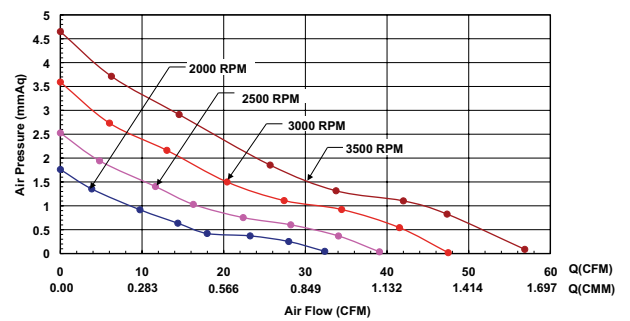
74g



OUTLINE



CHARACTERISTIC CURVES



SPECIFICATIONS

Item Model No.	Operating Voltage Range	Rated Voltage	Rated Current	Rated Input Power	Speed	Max Air Flow		Max Air Pressure		Noise
	VDC	V	Amp	Watt	R.P.M	m ³ /min	CFM	mmH ₂ O	inH ₂ O	dBA
RLXX B/S0802512L	6~13.8	12	0.20	2.40	2000	0.92	32.37	1.76	0.07	21.5
RLXX B/S0802512M	6~13.8	12	0.25	3.00	2500	1.11	39.07	2.53	0.10	26.5
RLXX B/S0802512H	6~13.8	12	0.31	3.72	3000	1.34	47.49	3.59	0.14	31.4
RLXX B/S0802512HH	6~13.8	12	0.35	4.20	3500	1.61	56.86	4.65	0.18	35.6