



Model No.

## RLXX Y0922512Z 92x92x25mm

Frame and Impeller Material :  
Plastic (UL 94V-O)

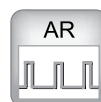
Bearing system :  
Ball Bearing (B)  
Sleeve Bearing (S)

Lead Wires :  
UL 1007 AWG 28 or equivalent.  
Red:+, Black:-

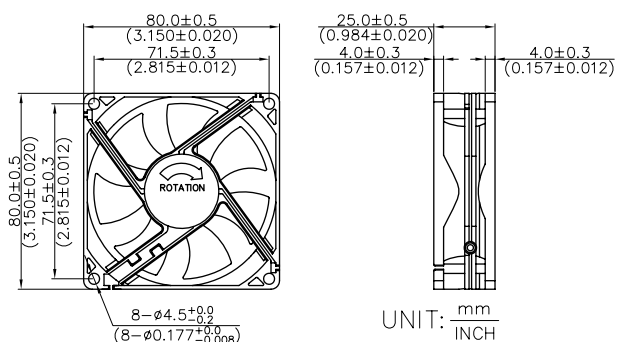
Model No. :  
RLXX Y0922512Z

X= 0~9 or A~Z  
Y=Bearing system, can be B or S type..  
Z=Fan speed, can be SL, EL, LL, L, M or H.

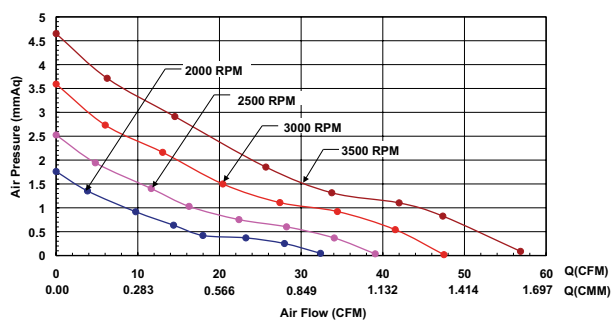
Net Weight :  
74g



### OUTLINE



### CHARACTERISTIC CURVES



### SPECIFICATIONS

Item Model No.	Operating Voltage Range	Rated Voltage	Rated Current	Rated Input Power	Speed	Max Air Flow		Max Air Pressure		Noise
	V <sub>DC</sub>	V	Amp	Watt	R.P.M	m <sup>3</sup> /min	CFM	mmH <sub>2</sub> O	inH <sub>2</sub> O	dBA
RLXX Y0922512SL	10~13.8	12	0.26	3.12	1000	0.58	20.52	0.50	0.02	21.0
RLXX Y0922512LL	6~13.8	12	0.26	3.12	1800	1.36	48.15	1.66	0.07	23.1
RLXX Y0922512L	6~13.8	12	0.26	3.12	2000	1.50	53.14	2.01	0.08	25.9
RLXX Y0922512M	6~13.8	12	0.35	4.20	2500	1.67	59.12	3.36	0.13	32.8
RLXX Y0922512H	6~13.8	12	0.53	6.36	3000	2.04	72.18	4.88	0.19	39.0