

DC LED Fan / 10CM



Model No.

RLXX Y1002512Z 100x100x25mm

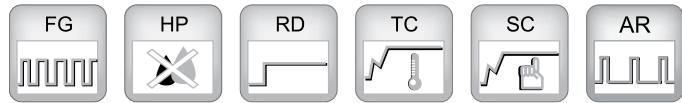
Frame and Impeller Material :
Plastic (UL 94V-O)

Bearing system :
Ball Bearing (B)
Sleeve Bearing (S)

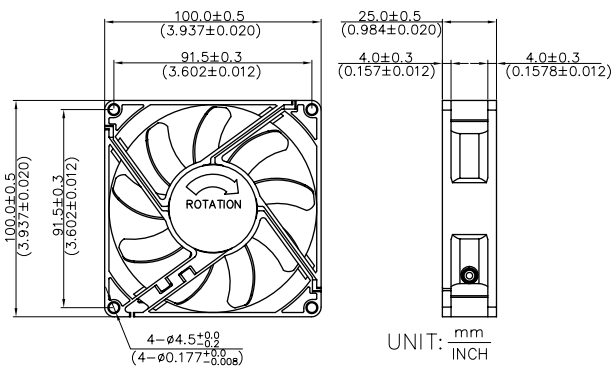
Lead Wires :
UL 1007 AWG 28 or equivalent.
Red:+, Black:-

Model No. :
RLXX Y1002512Z
XX= 0~9 or A~Z
Y=Bearing system, can be B or S type.
Z=Fan speed, can be L, M or H.

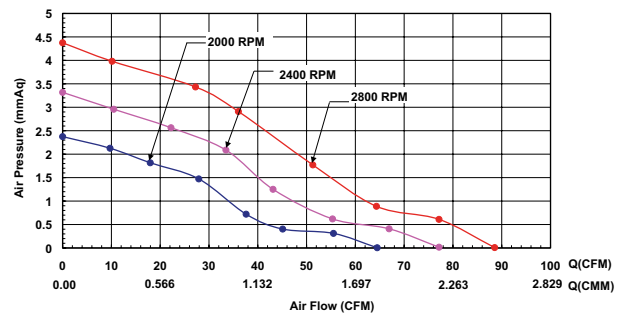
Net Weight :
102g



OUTLINE



CHARACTERISTIC CURVES



SPECIFICATIONS

Model No.	Item	Operating Voltage Range	Rated Voltage	Rated Current	Rated Input Power	Speed	Max Air Flow		Max Air Pressure		Noise
		VDC	V	Amp	Watt	R.P.M	m ³ /min	CFM	mmH ₂ O	inH ₂ O	dBA
RLXX B/S1002512L		6~13.8	12	0.25	3.00	2000	1.83	64.48	2.37	0.09	31.1
RLXX B/S1002512M		6~13.8	12	0.45	5.40	2400	2.18	77.15	3.32	0.13	35.7
RLXX B/S1002512H		6~13.8	12	0.55	6.60	2800	2.51	88.55	4.37	0.17	40.6