



Model No.

RLXX Y1202512Z 120x120x25mm

Frame and Impeller Material :
Plastic (UL 94V-O)

Bearing system :
Ball Bearing (B)
Sleeve Bearing (S)

Lead Wires :
UL 1007 AWG 28 or equivalent.
Red:+, Black:-

Model No. :

RLXX Y1202512Z

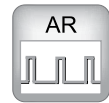
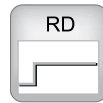
XX= 0~9 or A~Z

Y=Bearing system, can be B or S type.

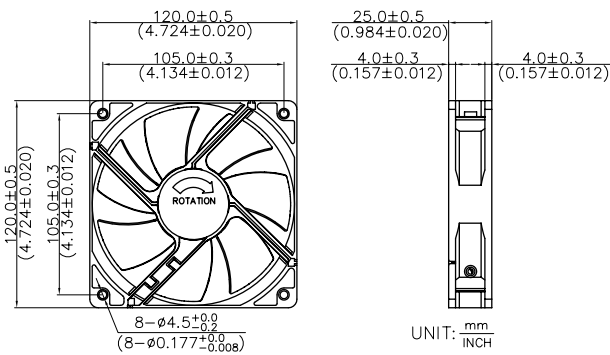
Z=Fan speed, can be L, M or H.

Net Weight :

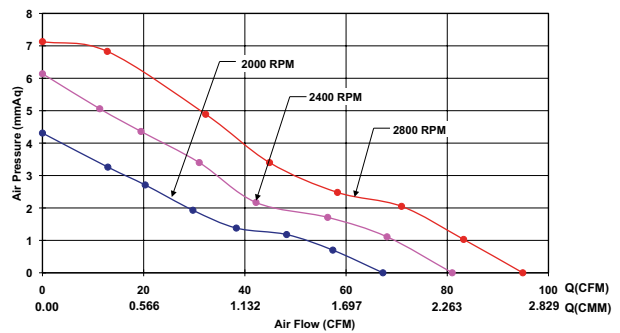
74g



OUTLINE



CHARACTERISTIC CURVES



SPECIFICATIONS

Item	Operating Voltage Range	Rated Voltage	Rated Current	Rated Input Power	Speed	Max Air Flow		Max Air Pressure		Noise
	V _{DC}	V	Amp	Watt	R.P.M	m ³ /min	CFM	mmH ₂ O	inH ₂ O	dBA
Model No. RLXX B/S1202512L	6~13.8	12	0.26	3.12	2000	2.57	90.92	3.06	0.12	34.0
RLXX B/S1202512M	6~13.8	12	0.38	4.56	2400	2.92	103.26	4.23	0.17	39.0
RLXX B/S1202512H	3.5~13.8	12	0.60	7.20	2800	3.51	124.11	5.79	0.23	43.6