

DC LED Fan / 13.5CM



Model No.

RLXX Y1352512Z 135x135x25mm

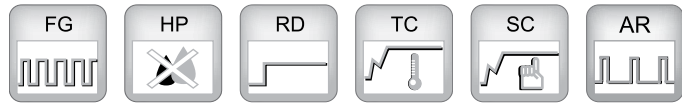
Frame and Impeller Material :
Plastic (UL 94V-O)

Bearing system :
Ball Bearing (B)
Sleeve Bearing (S)

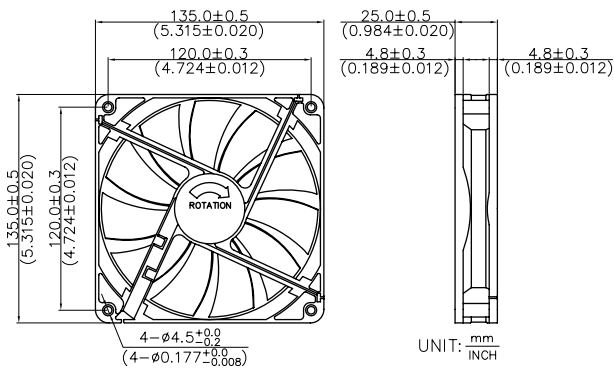
Lead Wires :
UL 1007 AWG 28 or equivalent.
Red:+, Black:-

Model No. :
RLXX Y1352512Z
XX= 0~9 or A~Z
Y=Bearing system, can be B or S type..
Z=Fan speed, can be L, M, H, HH or EH.

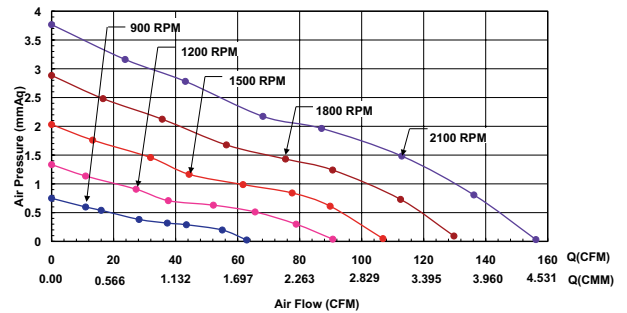
Net Weight :
136g



OUTLINE



CHARACTERISTIC CURVES



SPECIFICATIONS

Item Model No.	Operating Voltage Range	Rated Voltage	Rated Current	Rated Input Power	Speed	Max Air Flow		Max Air Pressure		Noise
	V _{DC}	V	Amp	Watt	R.P.M	m ³ /min	CFM	mmH ₂ O	inH ₂ O	dBA
RLXX B/FDB/S1352512L	10.8~13.8	12	0.20	2.40	900	1.78	62.93	0.75	0.03	18.4
RLXX B/FDB/S1352512M	10.8~13.8	12	0.28	3.36	1200	2.57	90.68	1.33	0.05	23.3
RLXX B/FDB/S1352512H	6~13.8	12	0.33	3.96	1500	3.03	106.86	2.03	0.08	29.2
RLXX B/FDB/S1352512HH	6~13.8	12	0.45	5.40	1800	3.67	129.76	2.88	0.11	33.9
RLXX B/FDB/S1352512EH	6~13.8	12	0.50	6.00	2100	4.42	156.19	3.77	0.15	38.7