

DC LED Fan / 14CM



Model No.

RLXX Y1402512Z 140x140x25mm

Frame and Impeller Material :
Plastic (UL 94V-O)

Bearing system :
Ball Bearing (B)
Sleeve Bearing (S)
Fluid Dynamic Bearing (FDB)

Lead Wires :
UL 1007 AWG 28 or equivalent.
Red:+, Black:-

Model No. :

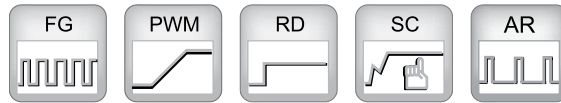
RLXX Y1402512Z

Y=Bearing System, can be B, S, or FDB type..

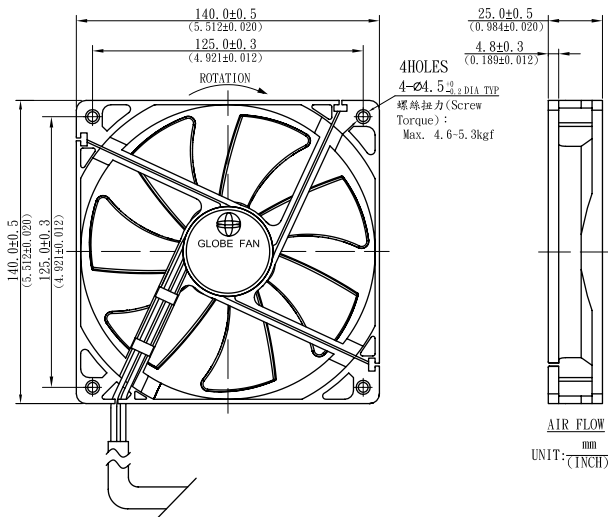
Z=Fan speed, can be L, M, H, HH or EH.

Net Weight :

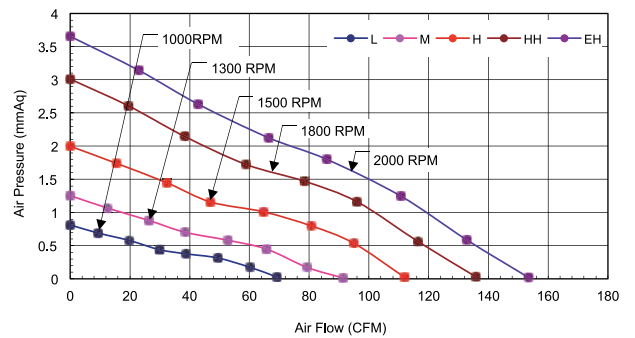
145g



OUTLINE



CHARACTERISTIC CURVES



SPECIFICATIONS

Model No.	Item	Operating Voltage Range	Rated Voltage	Rated Current	Rated Input Power	Speed	Max Air Flow		Max Air Pressure		Noise
		VDC	V	Amp	Watt	R.P.M	m ³ /min	CFM	mmH ₂ O	inH ₂ O	dBA
RLXX B/FDB/S1402512L		10~13.8	12	0.20	2.40	1000	1.77	62.48	0.76	0.03	18.8
RLXX B/FDB/S1402512M		6~13.8	12	0.30	3.60	1300	2.22	78.50	1.20	0.05	27.6
RLXX B/FDB/S1402512H		6~13.8	12	0.40	4.80	1500	2.74	96.72	1.89	0.07	29.3
RLXX B/FDB/S1402512HH		6~13.8	12	0.50	6.00	1800	3.09	108.98	2.06	0.08	33.7
RLXX B/FDB/S1402512EH		6~13.8	12	0.60	7.20	2000	3.72	131.34	2.88	0.11	37.4