

DC Axial Fan / 14CM



Model No.

RLXX Y1402512Z 140x140x25mm

Frame and Impeller Material :
Plastic (UL 94V-O)

Bearing system :
Ball Bearing (B)
Sleeve Bearing (S)
Fluid Dynamic Bearing (FDB)

Lead Wires :
UL 1007 AWG 28 or equivalent.
Red:+, Black:-

Model No. :

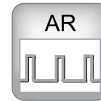
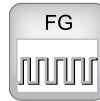
RLXX Y1402512Z

Y=Bearing System, can be B, S, or FDB type..

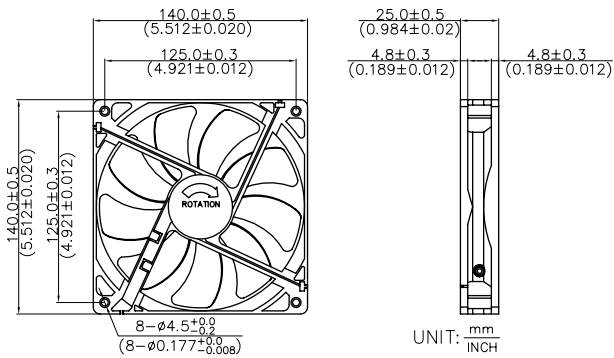
Z=Fan speed, can be L, M, H, HH or EH.

Net Weight :

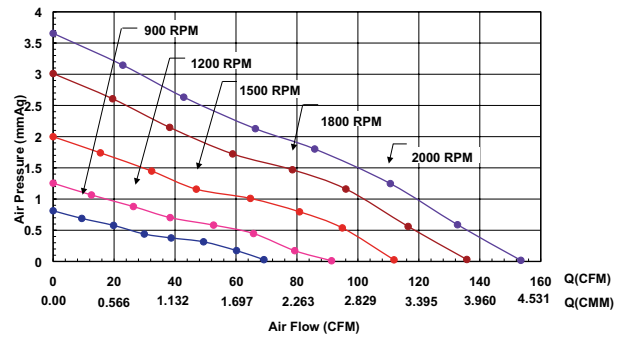
145g



OUTLINE



CHARACTERISTIC CURVES



SPECIFICATIONS

Item	Operating Voltage Range	Rated Voltage	Rated Current	Rated Input Power	Speed	Max Air Flow		Max Air Pressure		Noise
	V _{DC}	V	Amp	Watt	R.P.M	m ³ /min	CFM	mmH ₂ O	inH ₂ O	dBA
Model No. RLXX B/FDB/S1402512L	10~13.8	12	0.20	2.40	900	2.11	74.63	0.94	0.04	15.5
RLXX B/FDB/S1402512M	6~13.8	12	0.30	3.60	1200	2.61	92.16	1.46	0.06	24.9
RLXX B/FDB/S1402512H	6~13.8	12	0.40	4.80	1500	3.38	119.34	2.17	0.09	31.7
RLXX B/FDB/S1402512HH	5~13.8	12	0.50	6.00	1800	3.84	135.74	3.01	0.12	36.7
RLXX B/FDB/S1402512EH	5~13.8	12	0.60	7.20	2000	4.35	153.47	3.66	0.14	39.5