



Model No.

RLXX Y1402512ZB 140x140x25mm

Frame and Impeller Material :
Plastic (UL 94V-O)

Bearing system :
Ball Bearing (B)
Sleeve Bearing (S)

Lead Wires :
UL 1007 AWG 28 or equivalent.
Red:+, Black:-

Model No. :

RLXX Y1402512ZB

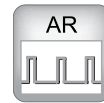
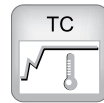
XX= 0~9 or A~Z

Y=Bearing system, can be B or S type.

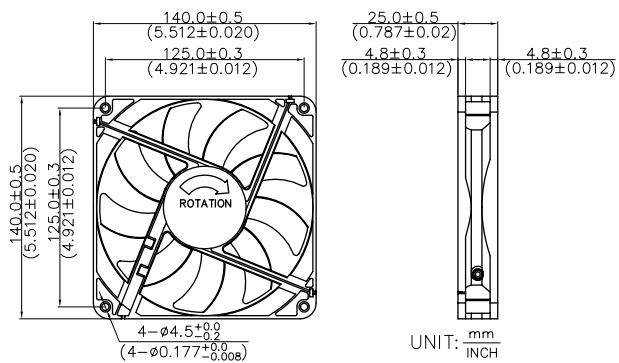
Z=Fan speed, can be L, M or H.

Net Weight :

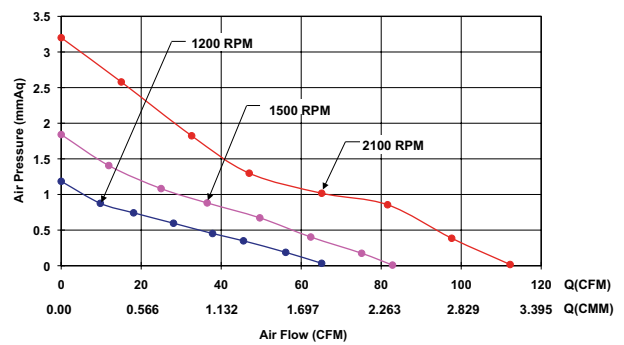
179g



OUTLINE



CHARACTERISTIC CURVES



SPECIFICATIONS

Item Model No.	Operating Voltage Range	Rated Voltage	Rated Current	Rated Input Power	Speed	Max Air Flow		Max Air Pressure		Noise
	V _{DC}	V	Amp	Watt	R.P.M	m ³ /min	CFM	mmH ₂ O	inH ₂ O	dBA
RLXX B/S142512LB	10~13.8	12	0.15	1.80	900	1.38	48.75	0.60	0.02	22.0
RLXX B/S142512MB	6~13.8	12	0.35	4.20	1500	2.35	82.84	1.80	0.07	33.0
RL4B S1402512HB	6~13.8	12	0.45	5.40	1600	2.93	103.50	2.62	0.10	38.0
RL4B S1402512HBB	6~13.8	12	0.60	7.20	2100	3.10	109.52	3.23	0.13	40.0