

DC LED Fan / 18CM



Model No.

RLXX Y1802512Z 180x180x25mm

Frame and Impeller Material :
Plastic (UL 94V-O)

Bearing system :
Ball Bearing (B)
Sleeve Bearing (S)

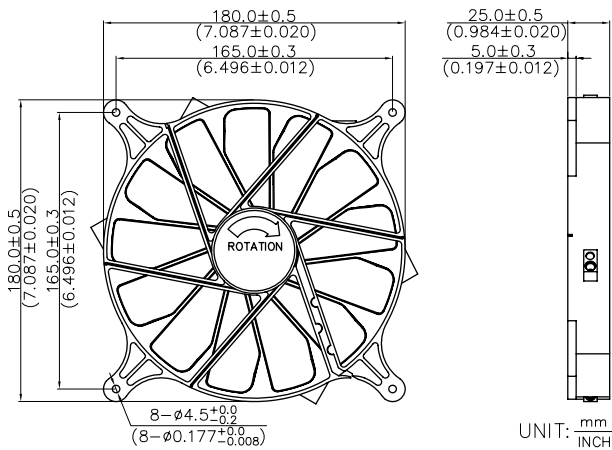
Lead Wires :
UL 1007 AWG 28 or equivalent.
Red:+, Black:-

Model No. :
RLXX Y1802512Z
XX= 0~9 or A~Z
Y=Bearing system, can be B or S type.
Z=Fan speed, can be L, M, or H.

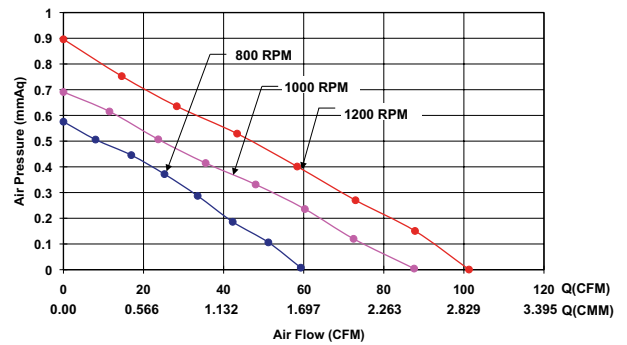
Net Weight :
178g



OUTLINE



CHARACTERISTIC CURVES



SPECIFICATIONS

Item	Operating Voltage Range	Rated Voltage	Rated Current	Rated Input Power	Speed	Max Air Flow		Max Air Pressure		Noise
	V _{DC}	V	Amp	Watt	R.P.M	m ³ /min	CFM	mmH ₂ O	inH ₂ O	dBA
Model No. RLXX B/S1802512L	10.8~13.8	12	0.28	3.36	800	1.68	59.42	0.57	0.02	22.5
RLXX B/S1802512M	6~13.8	12	0.38	4.56	1000	2.48	87.57	0.69	0.03	29.9
RLXX B/S1802512H	6~13.8	12	0.42	5.04	1200	2.87	101.27	0.90	0.04	36.9