



Model No.

RLXX Y2203012Z 220x220x30mm

Frame and Impeller Material :
Plastic (UL 94V-O)

Bearing system :
Ball Bearing (B)
Sleeve Bearing (S)

Lead Wires :
UL 1007 AWG 28 or equivalent.
Red:+, Black:-

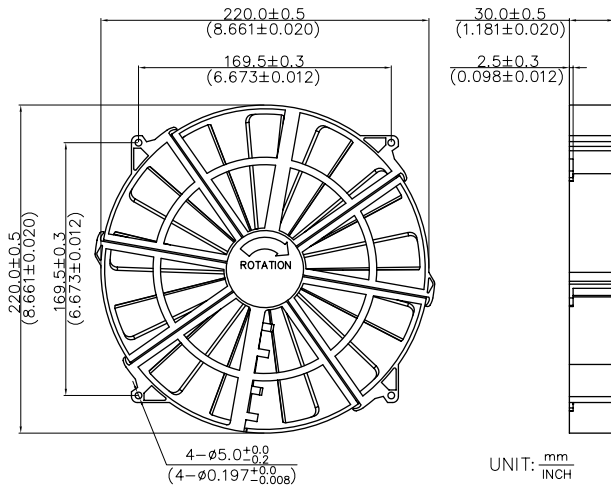
Model No. :
RLXX Y2203012Z

XX= 0~9 or A~Z
Y=Bearing system, can be B or S type.
Z=Fan speed, can be L, M, or H.

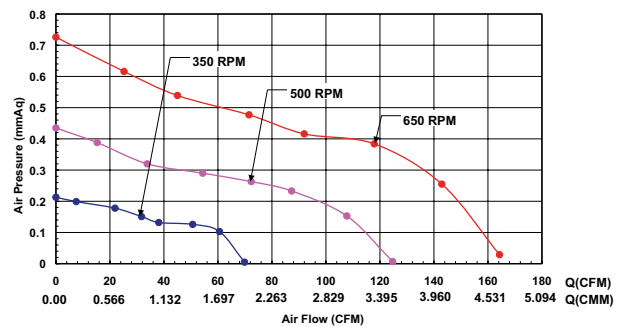
Net Weight :
285g



OUTLINE



CHARACTERISTIC CURVES



SPECIFICATIONS

Item Model No.	Operating Voltage Range	Rated Voltage	Rated Current	Rated Input Power	Speed	Max Air Flow		Max Air Pressure		Noise
	V _{DC}	V	Amp	Watt	R.P.M	m ³ /min	CFM	mmH ₂ O	inH ₂ O	dBA
RLXX B/S2203012L	6~13.8	12	0.25	3.00	350	1.98	69.84	0.21	0.01	14.4
RLXX B/S2203012M	6~13.8	12	0.45	5.40	500	3.53	124.71	0.43	0.02	21.0
RLXX B/S2203012H	6~13.8	12	0.60	7.20	650	4.65	164.30	0.72	0.03	27.8