



Model No.

X12038YZ 120x120x38mm

Frame and Impeller Material :
Plastic (UL 94V-O)

Bearing system :
Ball Bearing (B)

Lead Wires :
UL 1007 AWG 22 or equivalent.
Red:+, Black:-

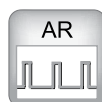
Model No. :
X12038YZ

X=Bearing system, can be B

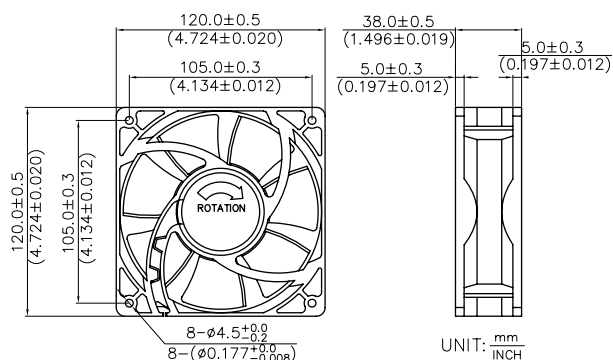
Y=Operating Voltage, can be 12/24 or 48.

Z=Fan speed, can be H.

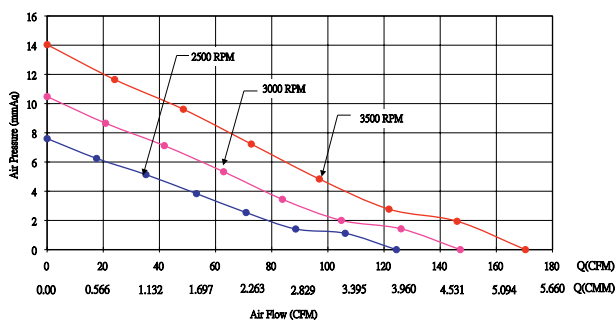
Net Weight :
529.5g



OUTLINE



CHARACTERISTIC CURVES



SPECIFICATIONS

Item	Operating Voltage Range	Rated Voltage	Rated Current	Rated Input Power	Speed	Max Air Flow		Max Air Pressure		Noise
	V _{DC}	V	Amp	Watt	R.P.M	m ³ /min	CFM	mmH ₂ O	inH ₂ O	dBA
B1203812L	7~14	12	1.20	14.4	2500	3.51	124	7.6	0.30	43.1
B1203812M	7~14	12	1.50	18.0	3000	4.16	147	10.5	0.41	49.1
B1203812H	7~14	12	1.80	21.6	3500	4.81	170	14.0	0.55	53.2
B1203824L	12~30	24	0.70	24.0	2500	4.16	147	10.5	0.41	49.1
B1203824M	12~30	24	0.85	28.8	3000	4.81	170	14.0	0.55	53.2
B1203824H	12~30	24	1.00	34.8	3500	5.30	187	16.6	0.65	56.9
B1203848L	24~60	48	0.50	24.0	2500	4.16	147	10.5	0.41	49.1
B1203848M	24~60	48	0.60	28.8	3000	4.81	170	14.0	0.55	53.2
B1203848H	24~60	48	0.70	33.6	3500	5.30	187	16.6	0.65	56.9