



Model No.

X17251YZ 172x172x51mm

Frame and Impeller Material :
Plastic (UL 94V-O)

Bearing system :
Ball Bearing (B)

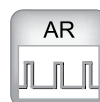
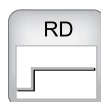
Lead Wires :
UL 1007 AWG 22 or equivalent.

Red:+, Black:-,
Sensor: Blue and White.

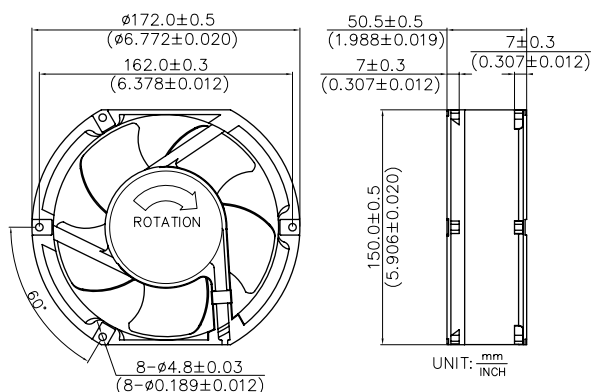
Model No. :
X17251YZ

X=Bearing system, can be B
Y=Operating Voltage, can be 12/24 or 48.
Z=Fan speed, can be L, M or H.

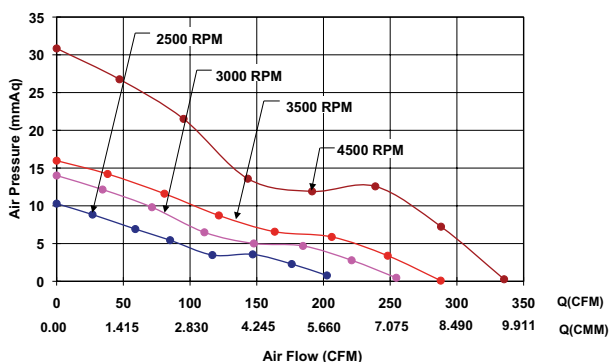
Net Weight :
644.0g



OUTLINE



CHARACTERISTIC CURVES



SPECIFICATIONS

Item Model No.	Operating Voltage Range	Rated Voltage	Rated Current	Rated Input Power	Speed	Max Air Flow		Max Air Pressure		Noise
	V _{DC}	V	Amp	Watt	R.P.M	m ³ /min	CFM	mmH ₂ O	inH ₂ O	dBA
B1725112L	8V~14V	12	1.4	16.8	2500	5.74	203	10.29	0.41	50.8
B1725112M	7V~14V	12	2.2	26.4	3000	7.22	255	14.01	0.55	55.4
B1725112H	7V~14V	12	2.8	33.6	3500	8.15	288	15.98	0.63	59.4
B1725124L	14V~30V	24	0.6	14.4	2500	5.74	203	10.29	0.41	50.8
B1725124M	14V~30V	24	1.2	28.8	3500	8.15	288	15.98	0.63	59.4
B1725124H	14V~30V	24	2.4	57.6	4500	9.48	335	26.54	1.04	65.3
B1725148L	24V~60V	48	0.4	19.2	2500	5.74	203	10.29	0.41	50.8
B1725148M	24V~60V	48	0.6	28.8	3500	8.15	288	15.98	0.63	59.4
B1725148H	24V~60V	48	1.2	57.6	4500	9.48	335	26.54	1.04	65.3